

© COPYRIGHT OF THIS DRAWING IS RESERVED BY DBFL CONSULTING ENGINEERS. NO PART SHALL BE REPRODUCED OR TRANSMITTED WITHOUT THEIR WRITTEN PERMISSION.

ON ORIGINAL

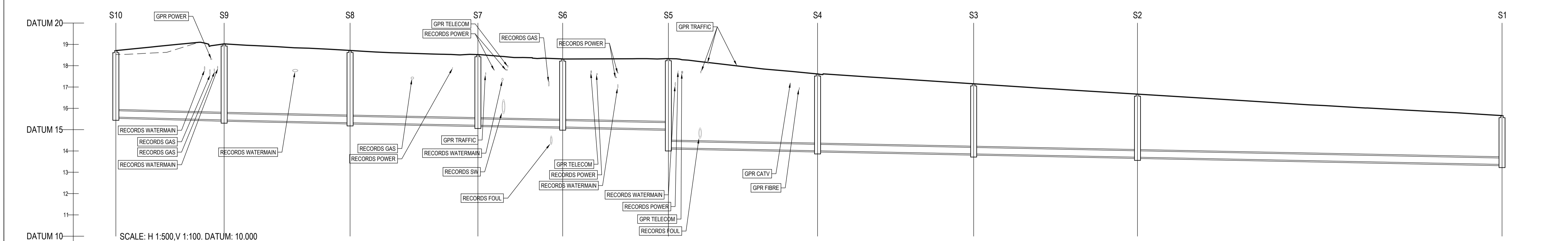
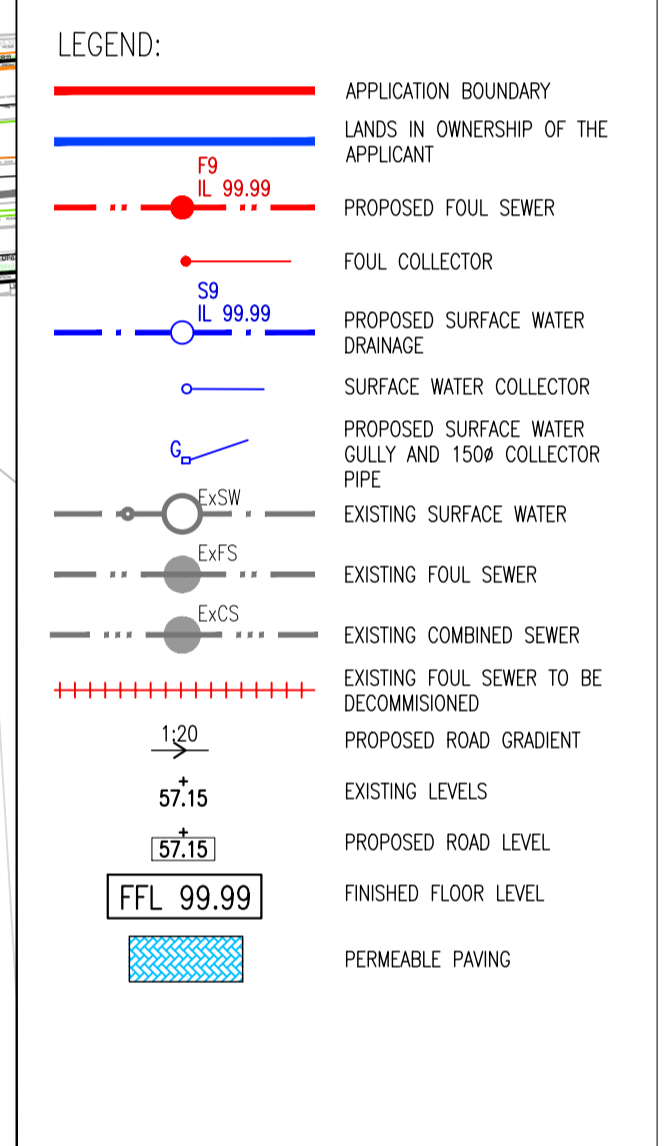
NOTES:

GENERAL NOTES:

1. ALL WORKS SHALL BE CONSTRUCTED IN ACCORDANCE WITH THE CIVIL ENGINEERING SPECIFICATION AND STANDARD CONSTRUCTION DETAILS.
2. ALL DIMENSIONS IN METRES UNLESS SPECIFIED OTHERWISE.
3. ALL CO-ORDINATES ARE TO IRISH TRANSVERSE MERCATOR.
4. ALL LEVELS ARE TO GROUND DATUM (MAM HEAD).
5. ALL TEMPORARY TRAFFIC & OPERATIONS MANAGEMENT SHALL COMPLY FULLY WITH THE CIVIL ENGINEERING SPECIFICATION AND STANDARD CONSTRUCTION DETAILS.
6. THE CONTRACTOR MUST LAISE DIRECTLY WITH LOCAL AUTHORITY DEPARTMENTS AS DIRECTED IN THE CIVIL ENGINEERING SPECIFICATION AND STANDARD CONSTRUCTION DETAILS.
7. ALL VEHICULAR & PEDESTRIAN, CYCLE & PRIVATE ACCESS ROUTES WITHIN AND SURROUNDING THE WORKS EXTENTS MUST BE MAINTAINED THROUGHOUT THE WORKS IN ACCORDANCE WITH THE CONTRACTORS APPROVED TEMPORARY TRAFFIC MANAGEMENT PLAN & CONSTRUCTION MANAGEMENT PLAN.

DRAWING SPECIFIC NOTES:

1. ALL DRAWINGS TO BE CHECKED BY CONTRACTOR ON SITE AND ENGINEER INFORMED OF DISCREPANCIES BEFORE WORK COMMENCES.
2. CONTRACTOR SHALL SATISFY HIMSELF AS TO THE ACCURACY OF EXISTING DRAINAGE LEVELS & THE LOCATION OF EXISTING SERVICES ON SITE PRIOR TO COMMENCEMENT OF WORKS ON SITE.
3. ALL WORKS TO BE CONSTRUCTED IN ACCORDANCE WITH THE NRA SPECIFICATION FOR ROAD WORKS UNLESS NOTED OTHERWISE.
4. MANHOLE COVER LEVELS ARE TO CONFORM WITH FINISHED ROAD AND PATH LEVELS.
5. ALL SURFACE WATER DRAINAGE WORKS TO BE IN ACCORDANCE WITH THE REQUIREMENTS OF THE LOCAL AUTHORITY'S CODE OF PRACTICE FOR DRAINAGE AND THE GOSD.
6. ALL FOUL DRAINAGE WORKS TO BE IN ACCORDANCE WITH IRISH WATERS' CODE OF PRACTICE FOR WASTEWATER SUPPLY AND WASTEWATER INFRASTRUCTURE STANDARD DETAILS.
7. FOUL SEWERS TO BE CONCRETE PIPES (SPIRIT AND SOCKET JOINTS AND RUBBER RING FITTINGS COMPLYING WITH IS EN 1916) OR THERMOPLASTIC STRUCTURED WALL PIPES (COMPLYING WITH THE PROVISION OF IS EN 13476 AND WS 4-35-01 2000) AND COMPLY WITH THE REQUIREMENTS OF THE IRISH WATER CODE OF PRACTICE.
8. ALL SURFACE WATER SEWERS TO BE CLASS H CONCRETE TO EN1916 & IS 6 2004.
9. SURFACE WATER COLLECTOR DRAINS 150mm DIA.
10. FOUL HOUSE CONNECTIONS TO BE 100mm DIA.
11. CONTRACTOR SHALL INSPECT THE ROUTE & CONFIRM LOCATIONS OF ALL TREES, FEATURES, ENTRANCES & ASPECTS IMPACTING CONSTRUCTION OF THE WORKS.
12. NOTE THAT THE CONTRACTOR AND/OR ARCHITECT ARE RESPONSIBLE FOR CONNECTIONS INTO THE BUILDING.
13. THIS DRAWING IS BASED ON TOPO SURVEY BY DAVIDSON HICKEY IN OCT 2019 AND APEX SURETS IN JAN 2020.



COVER LEVEL	S10	S9	S8	S7	S6	S5	S4	S3	S2	S1
INVERT LEVEL	1.015	1.016	1.017	1.018	1.019	1.020	1.021	1.022	1.023	
DEPTH (m)	3.120	3.570	3.392	3.115	3.188	4.183	3.603	3.288	2.960	2.292
DISTANCE (m)	6.23	25.41	29.56	30.00	19.89	24.81	35.01	36.63	38.45	85.56
PIPE SLOPE	1.231	1.188	1.227	1.252	1.252	1.251	1.250	1.246	1.252	
PIPE SIZE	300mm	300mm	300mm	300mm	300mm	300mm	300mm	300mm	300mm	300mm

P02	25-08-21	PLANNING	RMC	EDA
P01	30-11-20	FOR ABP PRE APP MEETING	ICD	BK
rev	date	description	by	chkd.
		A - Approved		
		B - Approved with comments		
		C - Do not use		

client approval

suitability S2 - INFORMATION issue purpose PLANNING

DBFL Consulting Engineers
Civil, Structural & Transportation Engineering
www.dbfl.ie

DUBLIN OFFICE: Ormond House, Upper Ormond Quay, Dublin 7, D07 W704
PHONE: +353 (0) 1 400 4000

CORK OFFICE: Phoenix House, Monahan Road, Cork, T12 H1XV
PHONE: +353 (0) 21 2054538

WATERFORD OFFICE: Suite 10 The Atrium, Maritime Gate, Canada Street, Waterford, X91 W028
PHONE: +353 (0) 51 309 500

project ref. SANDFORD ROAD, MILLTOWN

drawing title DRAINAGE OUTFALL

client SANDFORD LIVING LIMITED

designed by	author	scale	sheet size
BK	ICD	1:500	A1
drawing no.	revision		
190226-DBFL-CS-SP-DR-C-1003	P02		